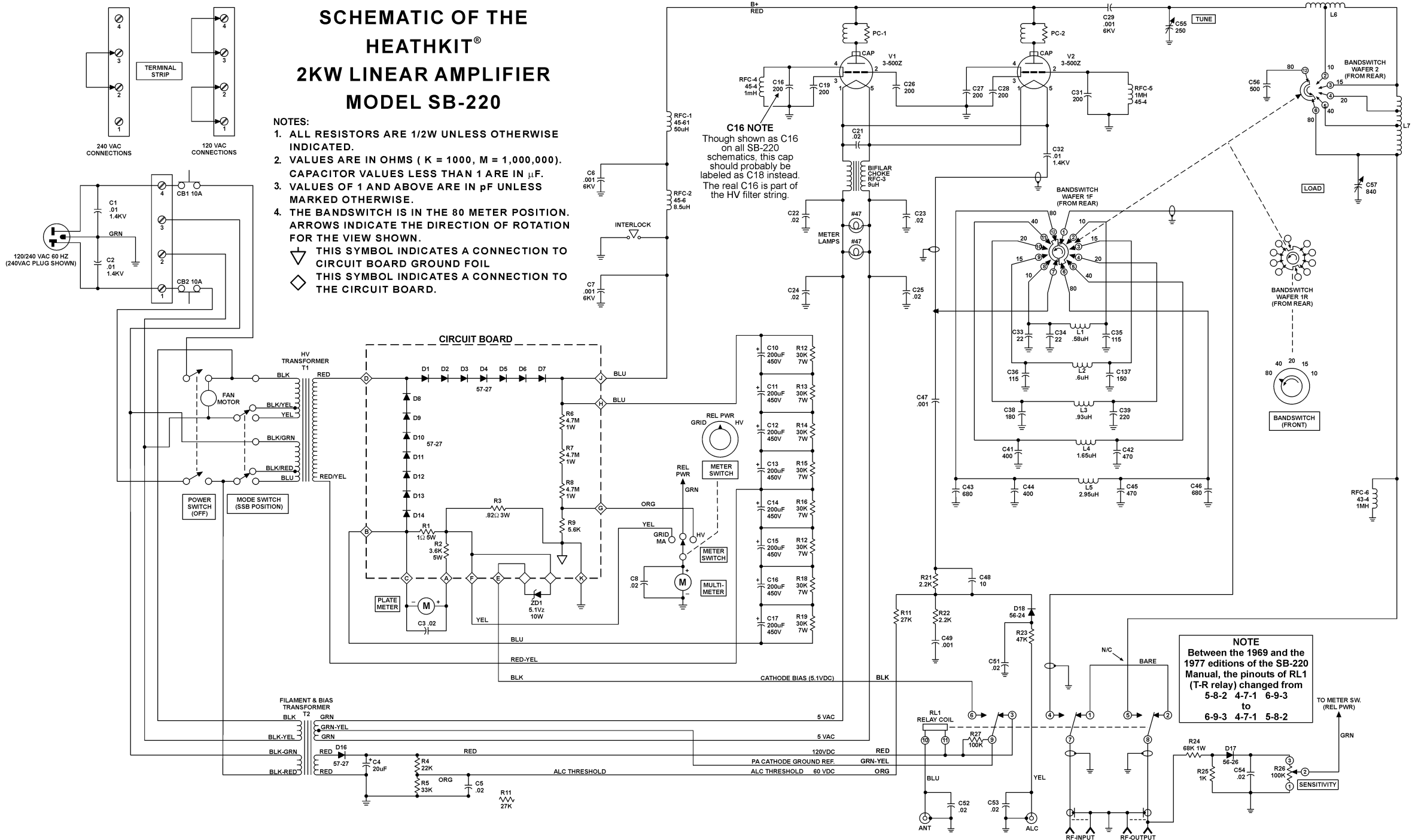


# SCHEMATIC OF THE HEATHKIT® 2KW LINEAR AMPLIFIER MODEL SB-220

- NOTES:**
1. ALL RESISTORS ARE 1/2W UNLESS OTHERWISE INDICATED.
  2. VALUES ARE IN OHMS ( K = 1000, M = 1,000,000).
  3. CAPACITOR VALUES LESS THAN 1 ARE IN  $\mu$ F. VALUES OF 1 AND ABOVE ARE IN pF UNLESS MARKED OTHERWISE.
  4. THE BANDSWITCH IS IN THE 80 METER POSITION. ARROWS INDICATE THE DIRECTION OF ROTATION FOR THE VIEW SHOWN.
- THIS SYMBOL INDICATES A CONNECTION TO CIRCUIT BOARD GROUND FOIL  
 THIS SYMBOL INDICATES A CONNECTION TO THE CIRCUIT BOARD.



**C16 NOTE**  
Though shown as C16 on all SB-220 schematics, this cap should probably be labeled as C18 instead. The real C16 is part of the HV filter string.

**NOTE**  
Between the 1969 and the 1977 editions of the SB-220 Manual, the pinouts of RL1 (T-R relay) changed from 5-8-2 4-7-1 6-9-3 to 6-9-3 4-7-1 5-8-2

SB-220 Schematic, redrawn by: Tom Hammond NØSS rev. 1.4 21OCT2006  
Please report errors to <n0ss@earthlink.net> so corrections can be made.  
In the e-mail address, above, the '0' is a ZERO, not an 'oh'.