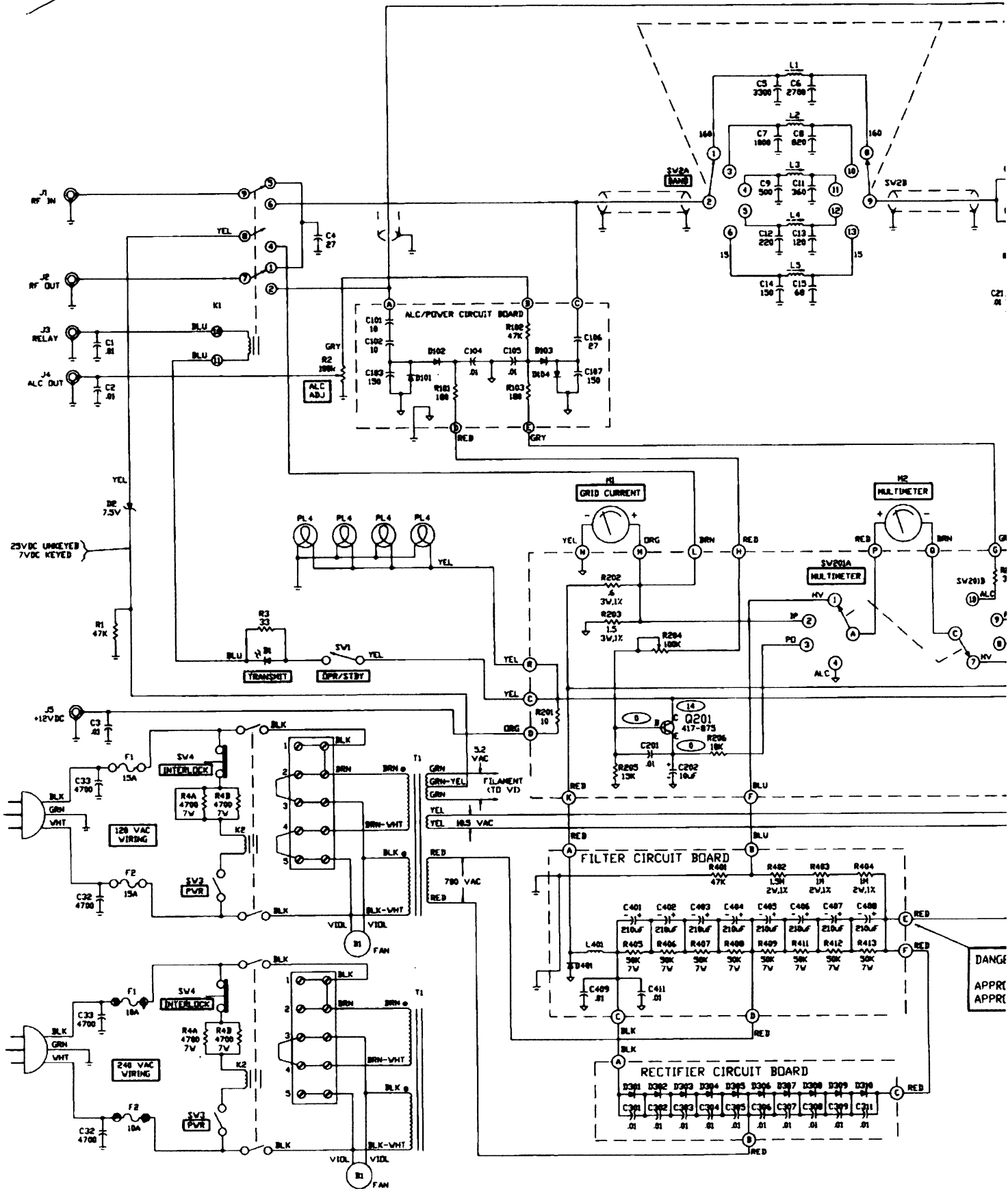
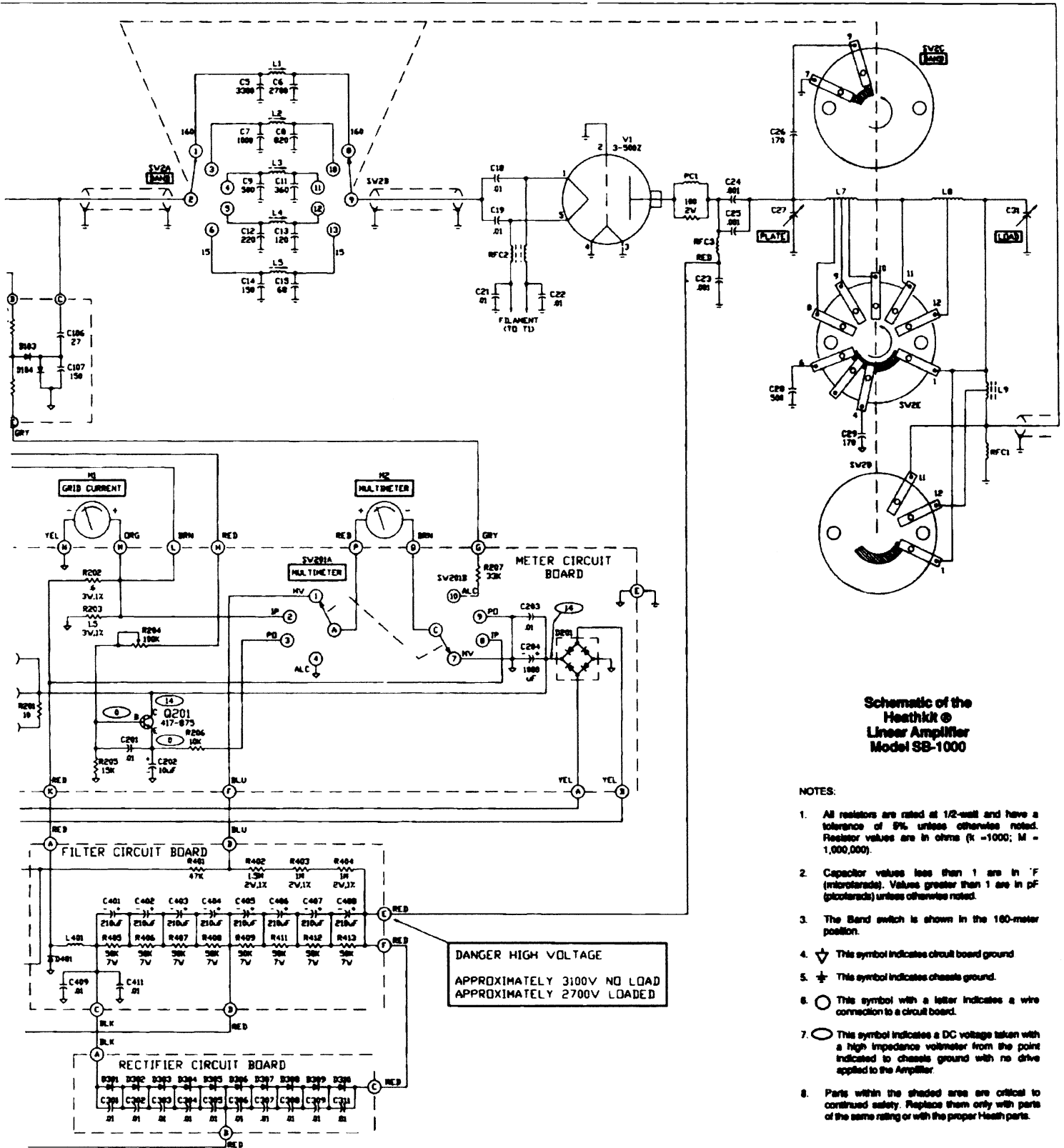


SB1000 2/2/2002

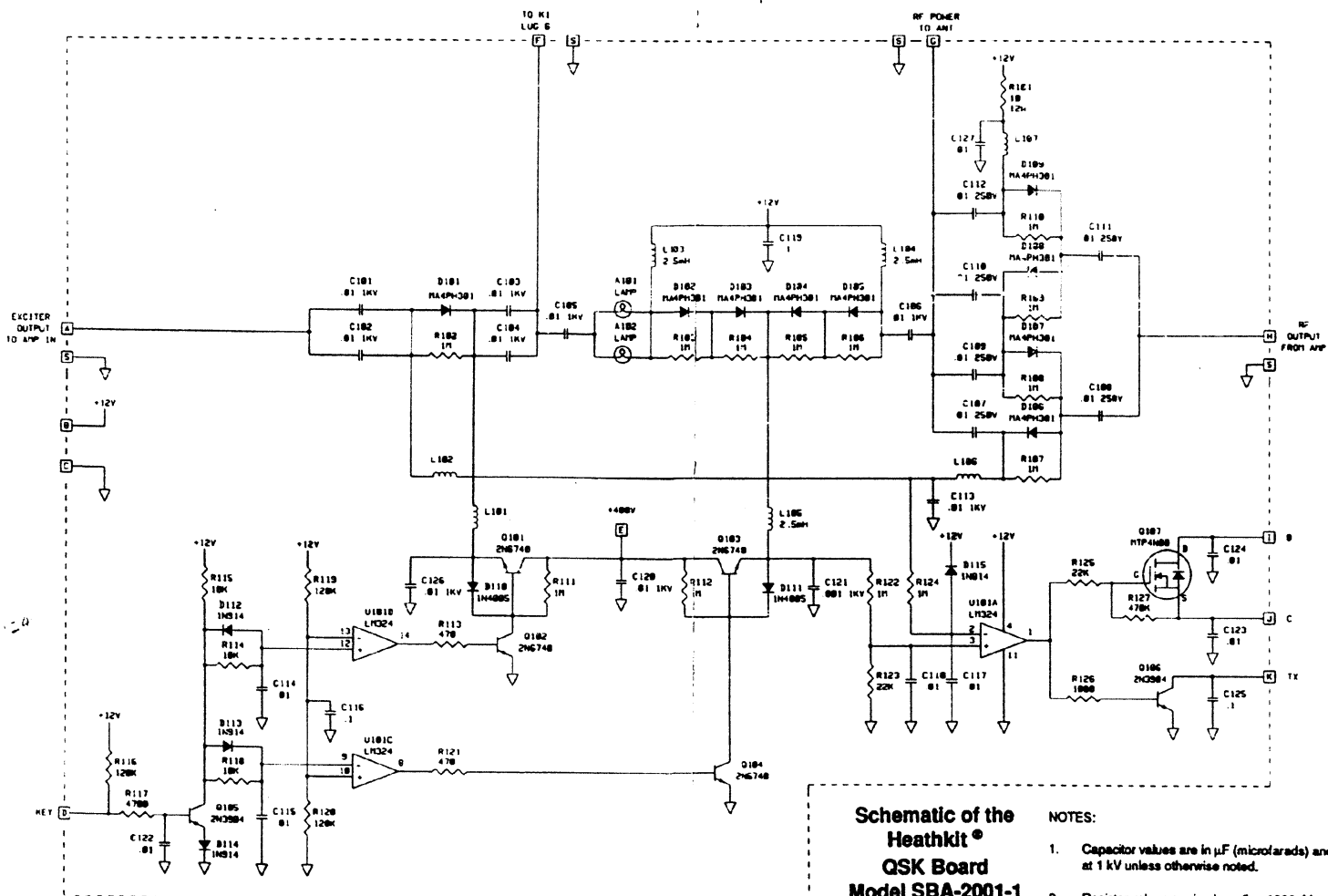




**Schematic of the
Heathkit®
Linear Amplifier
Model SB-1000**

NOTES:

1. All resistors are rated at 1/2-watt and have a tolerance of 5% unless otherwise noted. Resistor values are in ohms (k = 1000; M = 1,000,000).
2. Capacitor values less than 1 are in pF (picofarads). Values greater than 1 are in µF (microfarads) unless otherwise noted.
3. The Band switch is shown in the 160-meter position.
4. ⚡ This symbol indicates circuit board ground.
5. ⚡ This symbol indicates chassis ground.
6. ○ This symbol with a letter indicates a wire connection to a circuit board.
7. ⊖ This symbol indicates a DC voltage taken with a high impedance voltmeter from the point indicated to chassis ground with no drive applied to the Amplifier.
8. Parts within the shaded area are critical to continued safety. Replace them only with parts of the same rating or with the proper Heath parts.



**Schematic of the
Heathkit®
QSK Board
Model SBA-2001-1**

NOTES:

1. Capacitor values are in μF (microfarads) and are rated at 1 kV unless otherwise noted.
2. Resistor values are in ohms ($k = 1,000$, $M = 1,000,000$) and are rated at 1/2-watt unless otherwise noted.