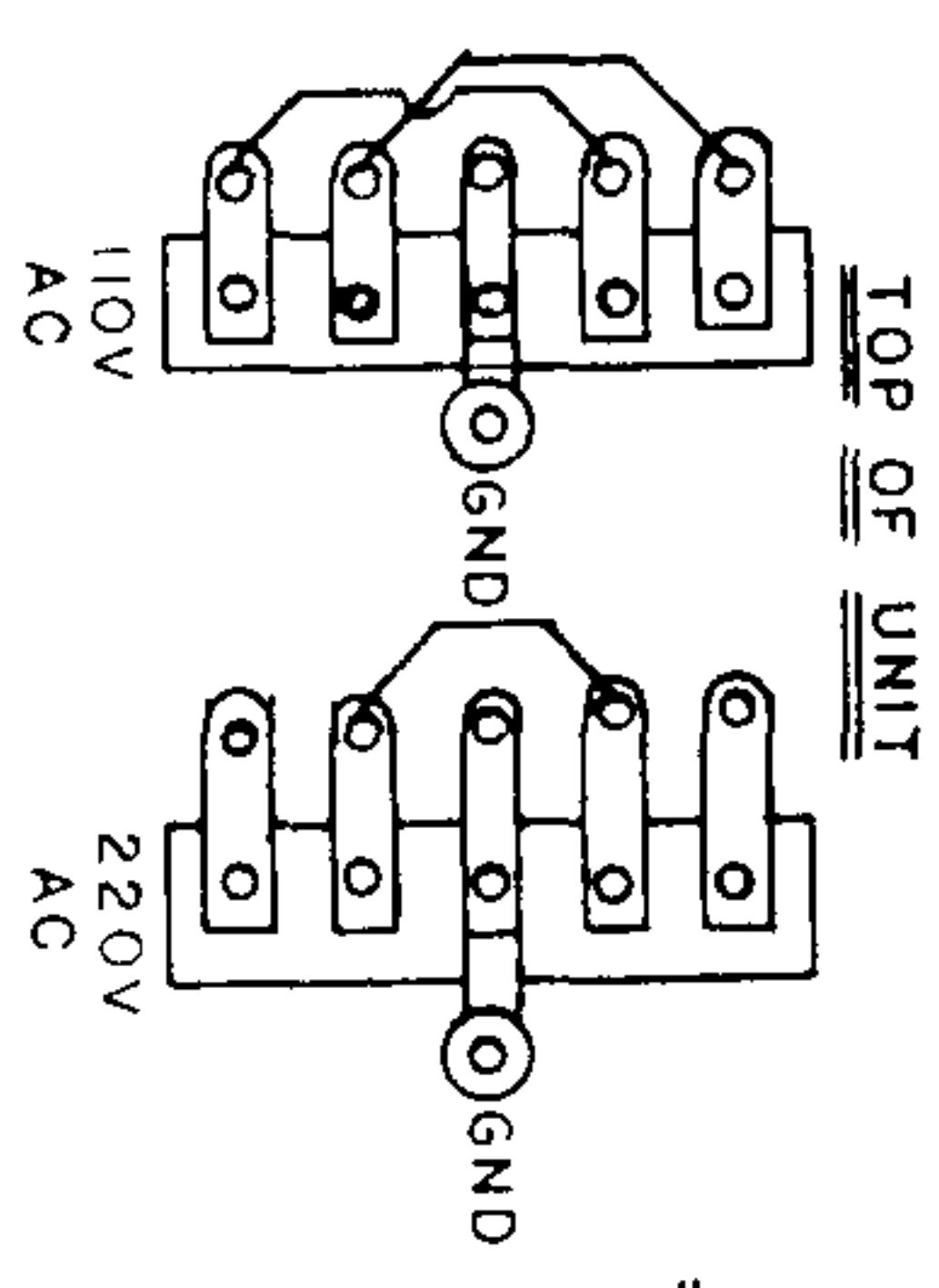
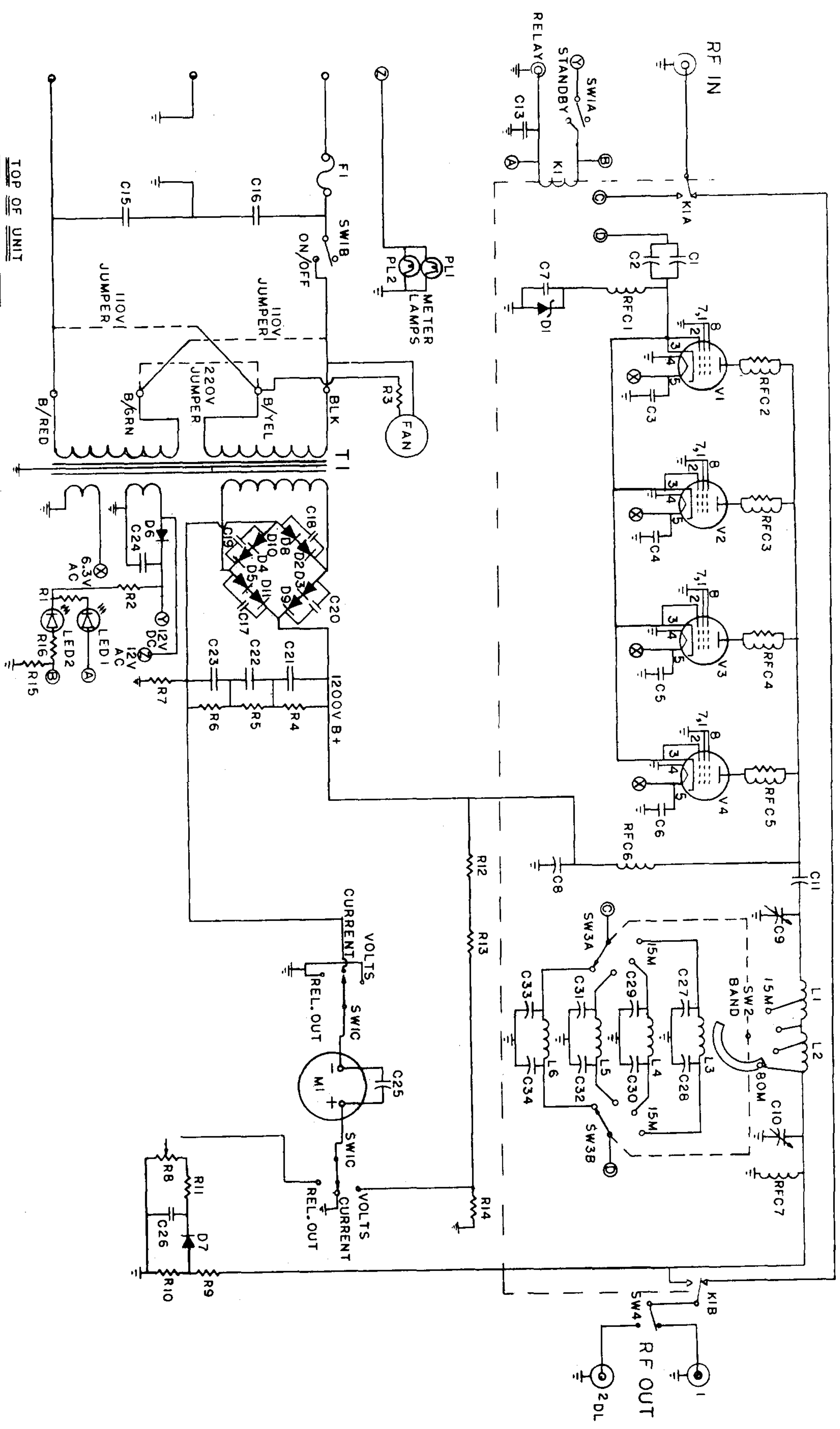


GLA-1000B SCHEMATIC



NOTE:
 DISCONNECT UNIT FROM AC LINE
 REMOVE EITHER 110VAC OR
 220VAC JUMPER(S) BEFORE
 CHANGING FROM ONE TO
 ANOTHER