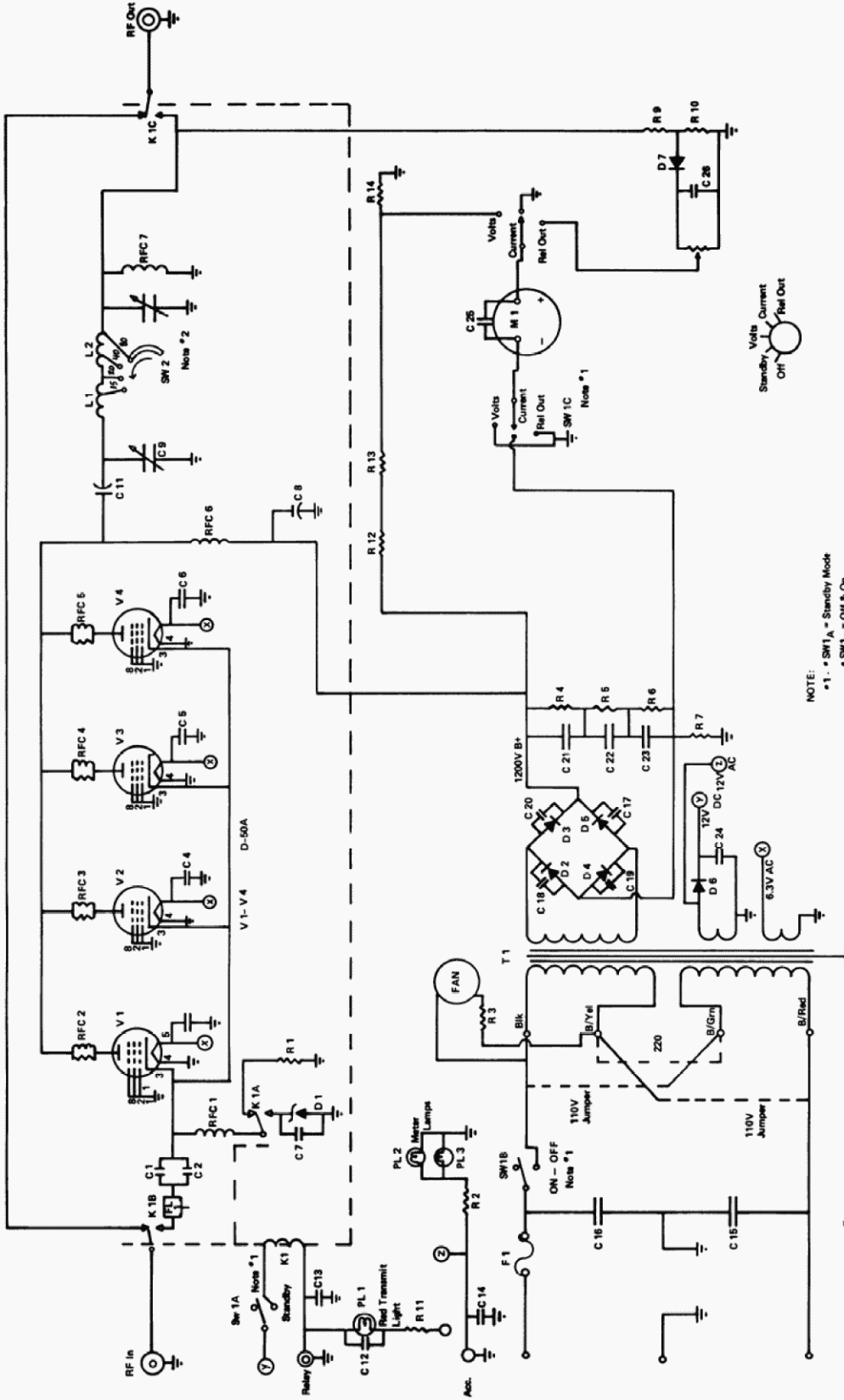
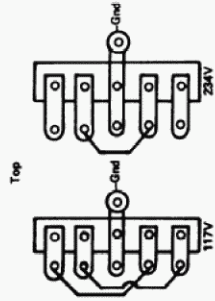


GLA-1000 SCHEMATIC



- NOTE:
- *1. - SW1A - Standby Mode
 - * SW1B - Off & On
 - * SW1C - Current, Voltage, Rel. Out.
 - *2. SW2 - Shown Front View, Continuously Shorting Towards 15 Mhz.
 - *3. Remove Either 117V or 234V Jumpers Before Changing From One to Another



TERMINAL STRIP ON BACK PANEL FOR 234V OR 117V OPERATION! SEE NOTE *3