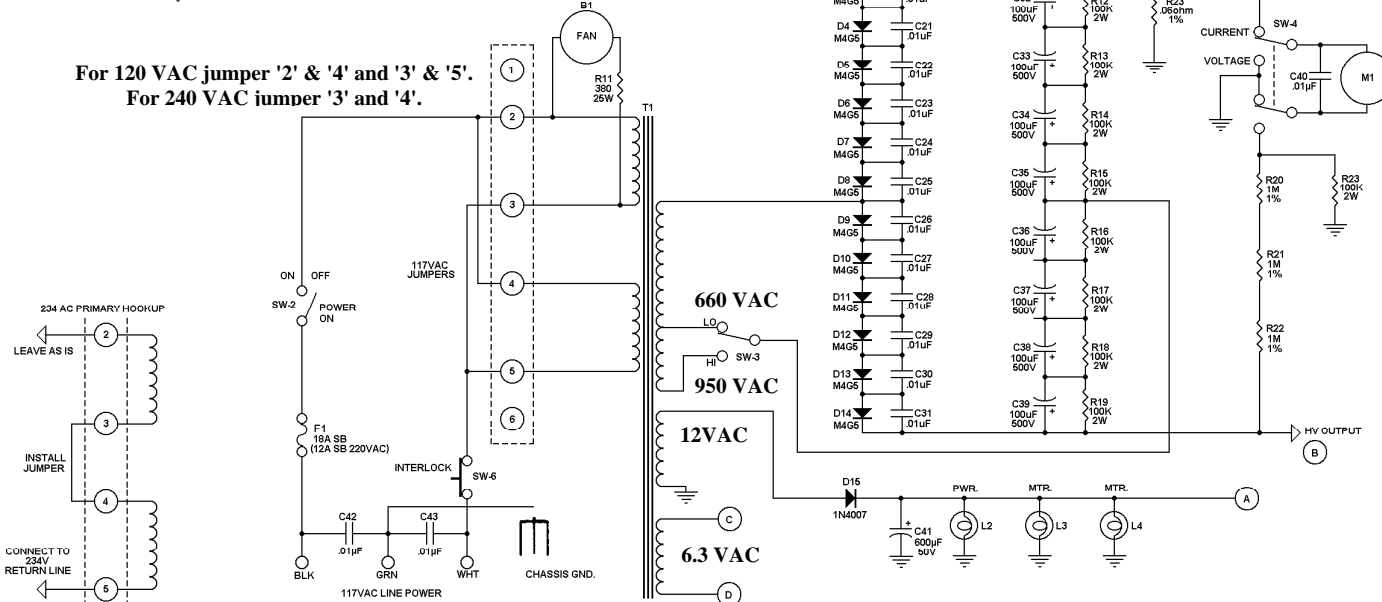


For 120 VAC jumper '2' & '4' and '3' & '5'.
For 240 VAC jumper '3' and '4'.



Lethally high voltages are present inside the amplifier unit. Never remove either top or bottom cover when power line is connected. DO NOT attempt to operate unit when covers are removed.

Safety Instructions

Use Caution when servicing.

Disclaimer:
Although the greatest care has been taken while compiling these documents, we cannot guarantee that the information is 100% correct.
Copyright © 2004 B. Bolin

DENTRON CLIPPERTON L