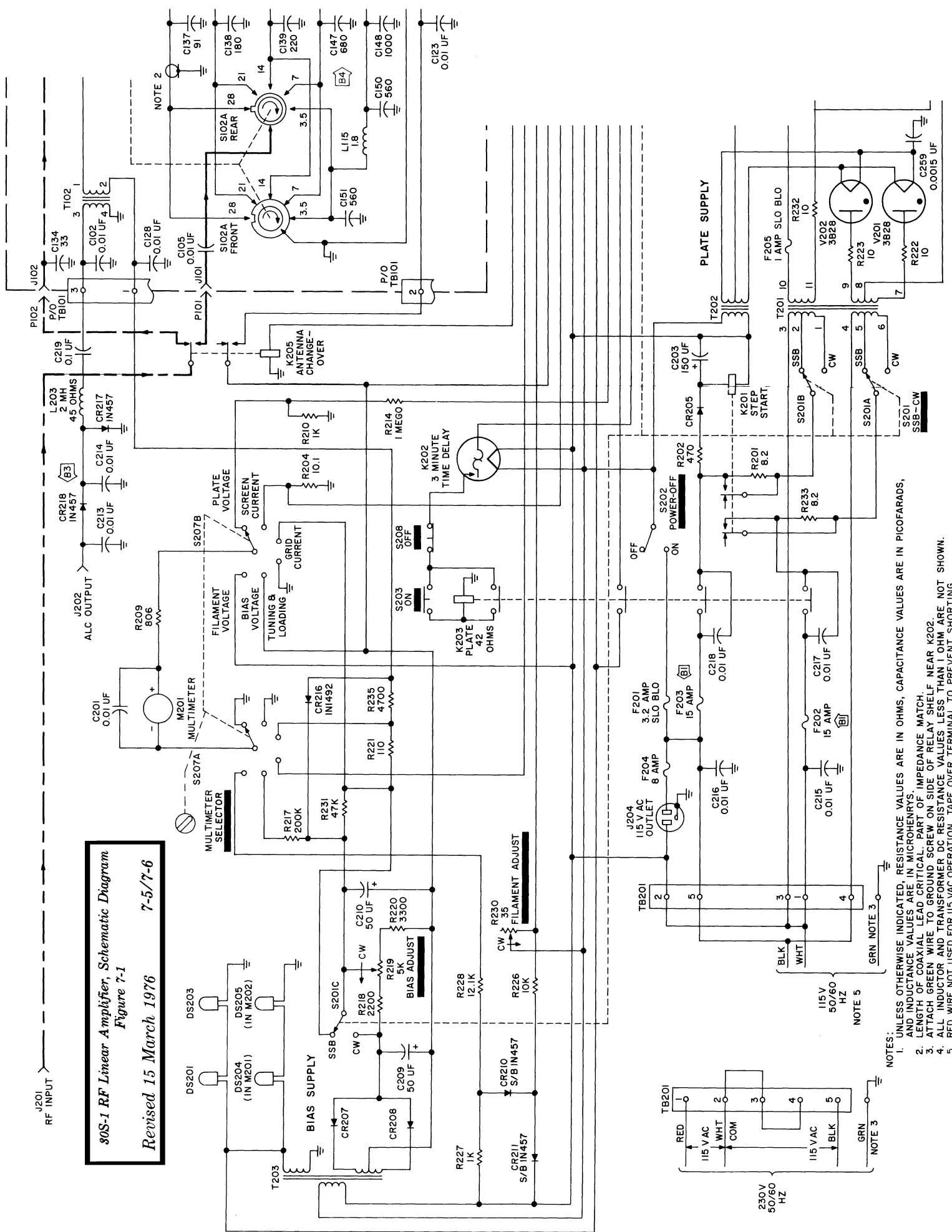
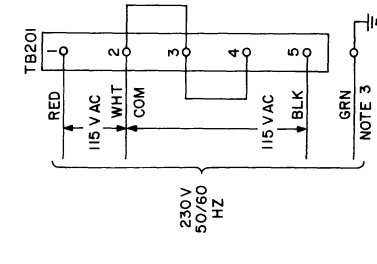
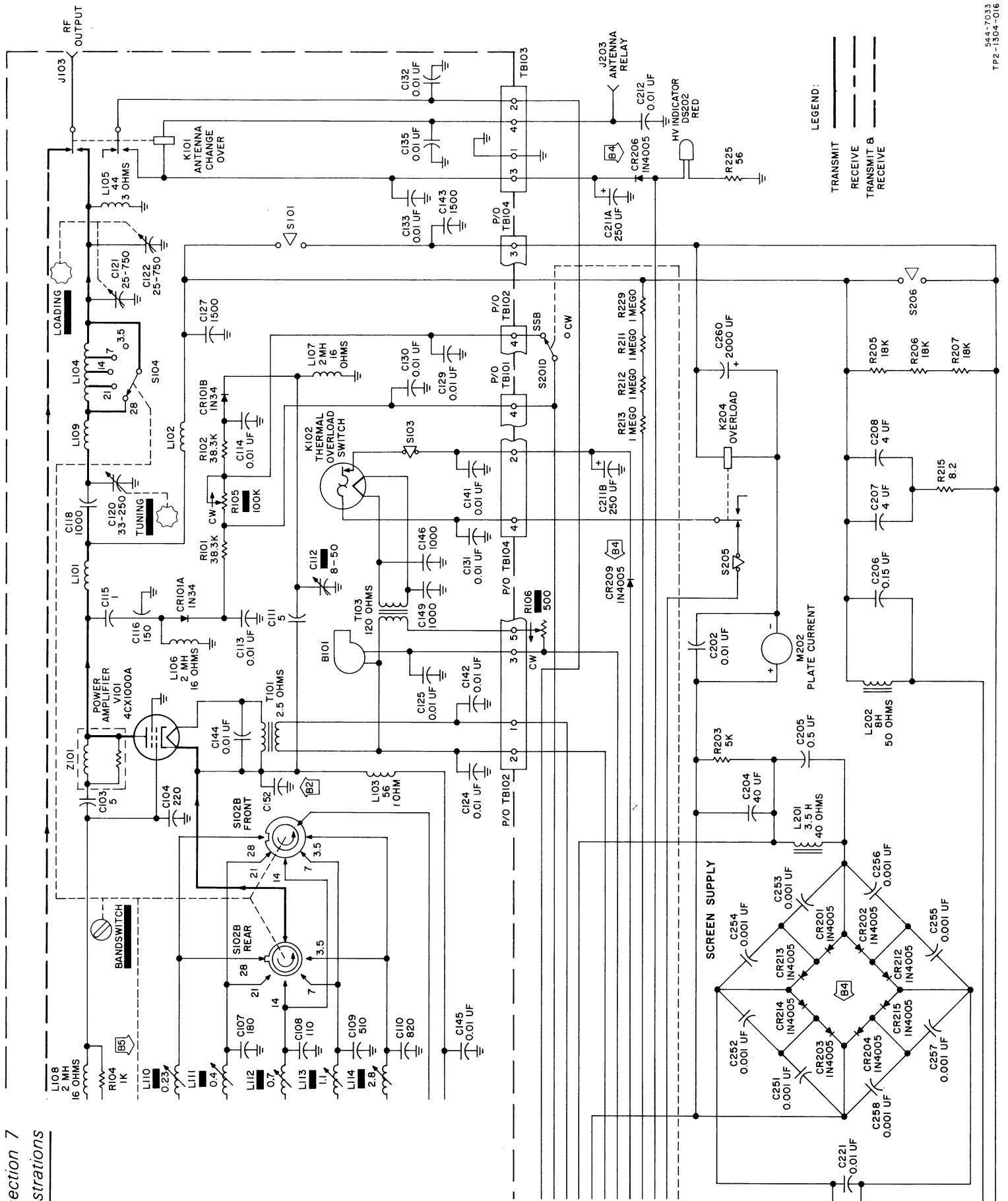


30S-1 RF Linear Amplifier, Schematic Diagram
Figure 7-1
Revised 15 March 1976
7-5-7-6



- NOTES:
1. UNLESS OTHERWISE INDICATED, RESISTANCE VALUES ARE IN OHMS, CAPACITANCE VALUES ARE IN PICOFARADS, AND INDUCTANCE VALUES ARE IN MICROHENRYS.
 2. LENGTH OF COAXIAL LEAD CRITICAL. PART OF IMPEDANCE MATCH.
 3. ATTACH GREEN WIRE TO GROUND SCREW ON SIDE OF RELAY SHELF NEAR K202.
 4. ALL INDUCTOR AND TRANSFORMER DC RESISTANCE VALUES LESS THAN 1 OHM ARE NOT SHOWN.
 5. RED WIRE NOT USED FOR 115 VAC OPERATION. TAPE OVER TERMINAL TO PREVENT SHORTING.





LEGEND:
 TRANSMIT
 RECEIVE
 TRANSMIT & RECEIVE