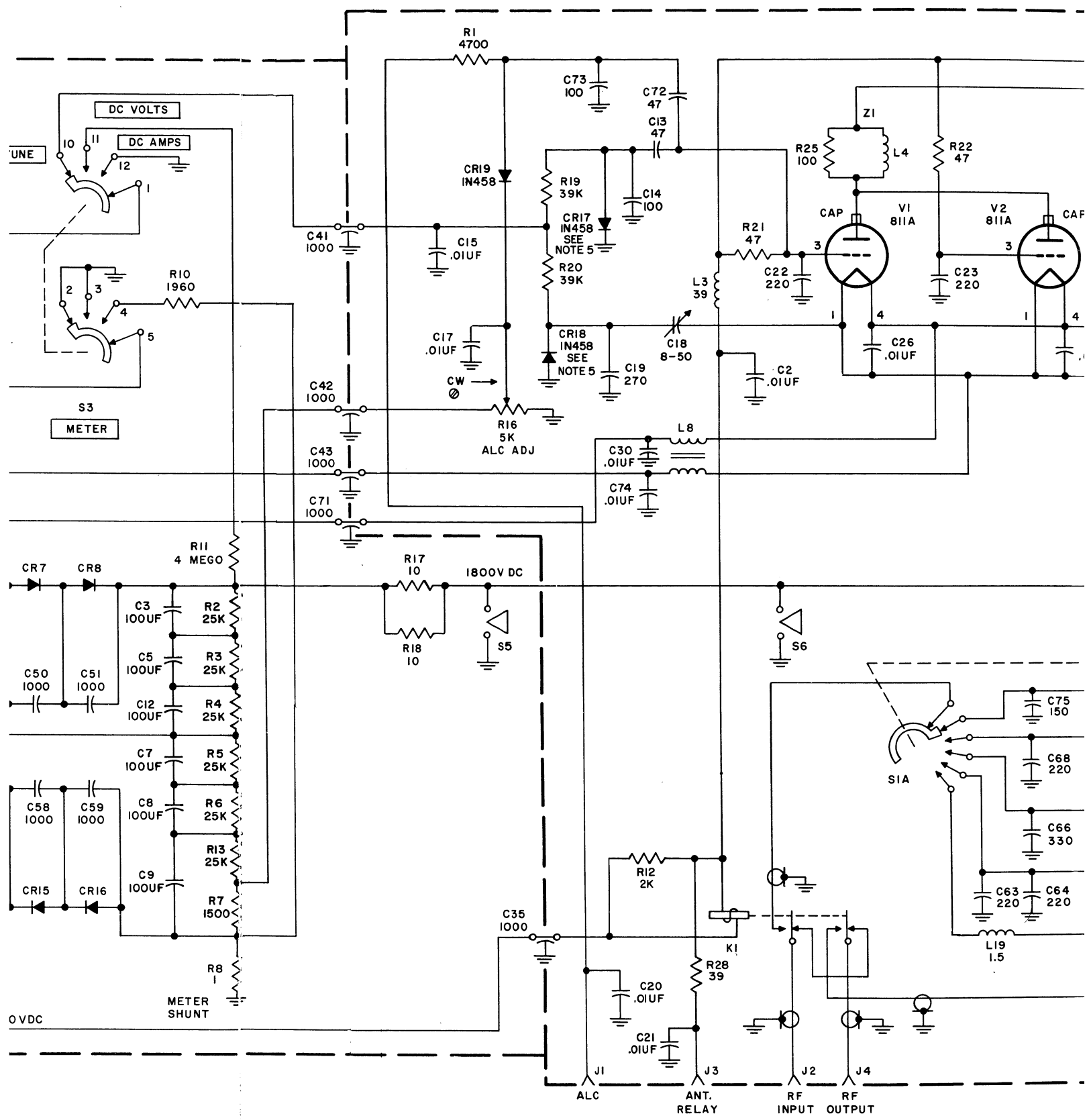


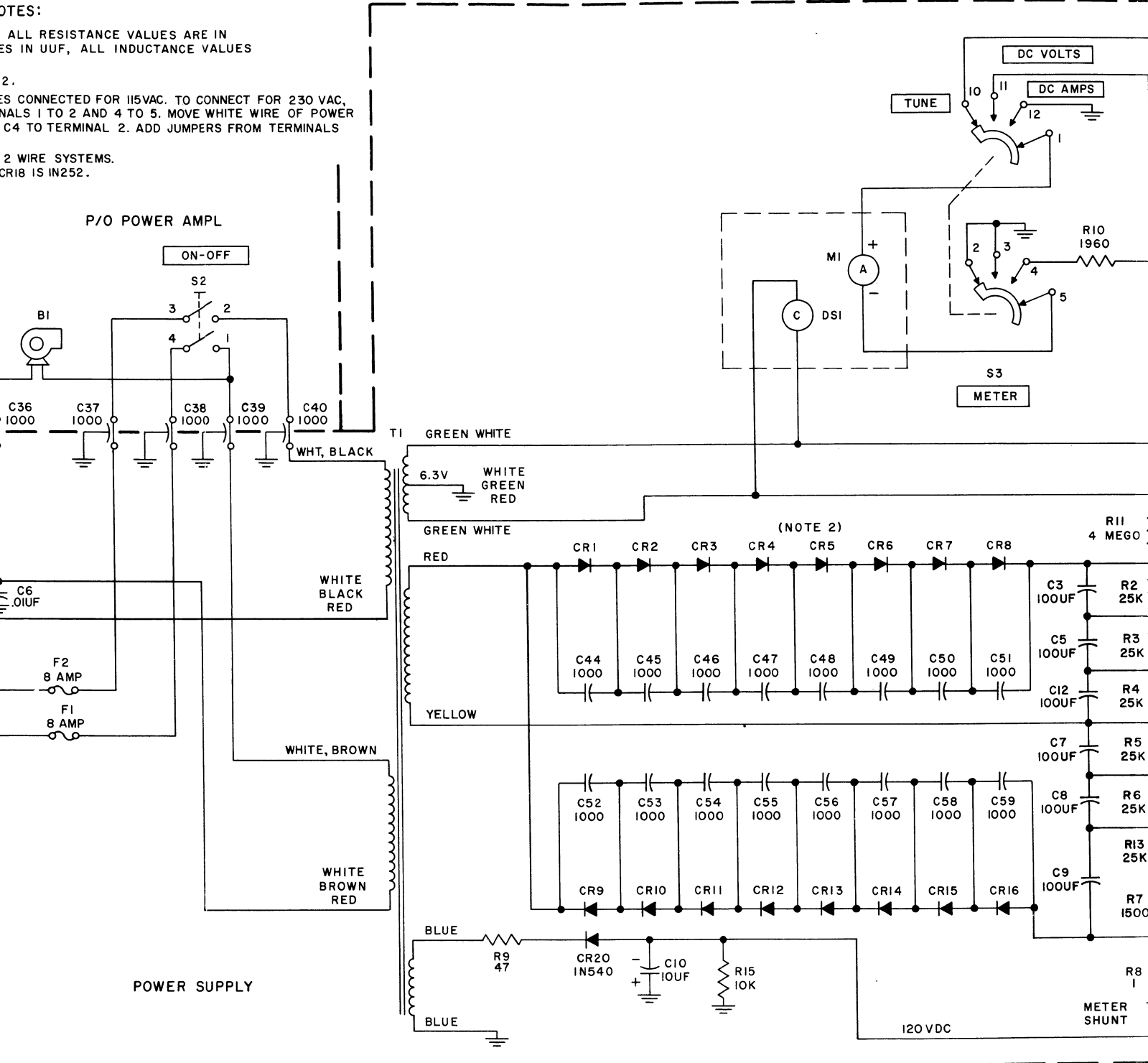
Figure 7-2. 30L-1 Schematic Diagram



NOTES:
 ALL RESISTANCE VALUES ARE IN OHMS UNLESS SPECIFIED OTHERWISE.
 ALL CAPACITANCE VALUES ARE IN MICROFARADS UNLESS SPECIFIED OTHERWISE.

12.
 ES CONNECTED FOR 115VAC. TO CONNECT FOR 230 VAC, MOVE WIRE OF POWER FROM TERMINAL 1 TO 2 AND 4 TO 5. MOVE WHITE WIRE OF POWER FROM TERMINAL 3 TO 4. ADD JUMPERS FROM TERMINALS 1 TO 2 AND 3 TO 4.

2 WIRE SYSTEMS.
 CR18 IS IN252.



NOTES:

1. UNLESS OTHERWISE INDICATED, ALL RESISTANCE VALUES ARE IN OHMS, ALL CAPACITANCE VALUES IN UUF, ALL INDUCTANCE VALUES ARE IN UH.
2. CRI THRU CRI6 ARE ALL IN1492.
3. AMPLIFIER SHIPPED WITH PRIMARIES CONNECTED FOR 115VAC. TO CONNECT FOR 230 VAC, REMOVE JUMPERS ON TBI, TERMINALS 1 TO 2 AND 4 TO 5. MOVE WHITE WIRE OF POWER CORD AND UNGROUNDED LEAD OF C4 TO TERMINAL 2. ADD JUMPERS FROM TERMINALS 1 AND 4 TO 3.
4. BREAK AT POINT X FOR 230 VAC, 2 WIRE SYSTEMS.
5. ALTERNATE TYPE FOR CRI7 AND CRI8 IS IN252.

