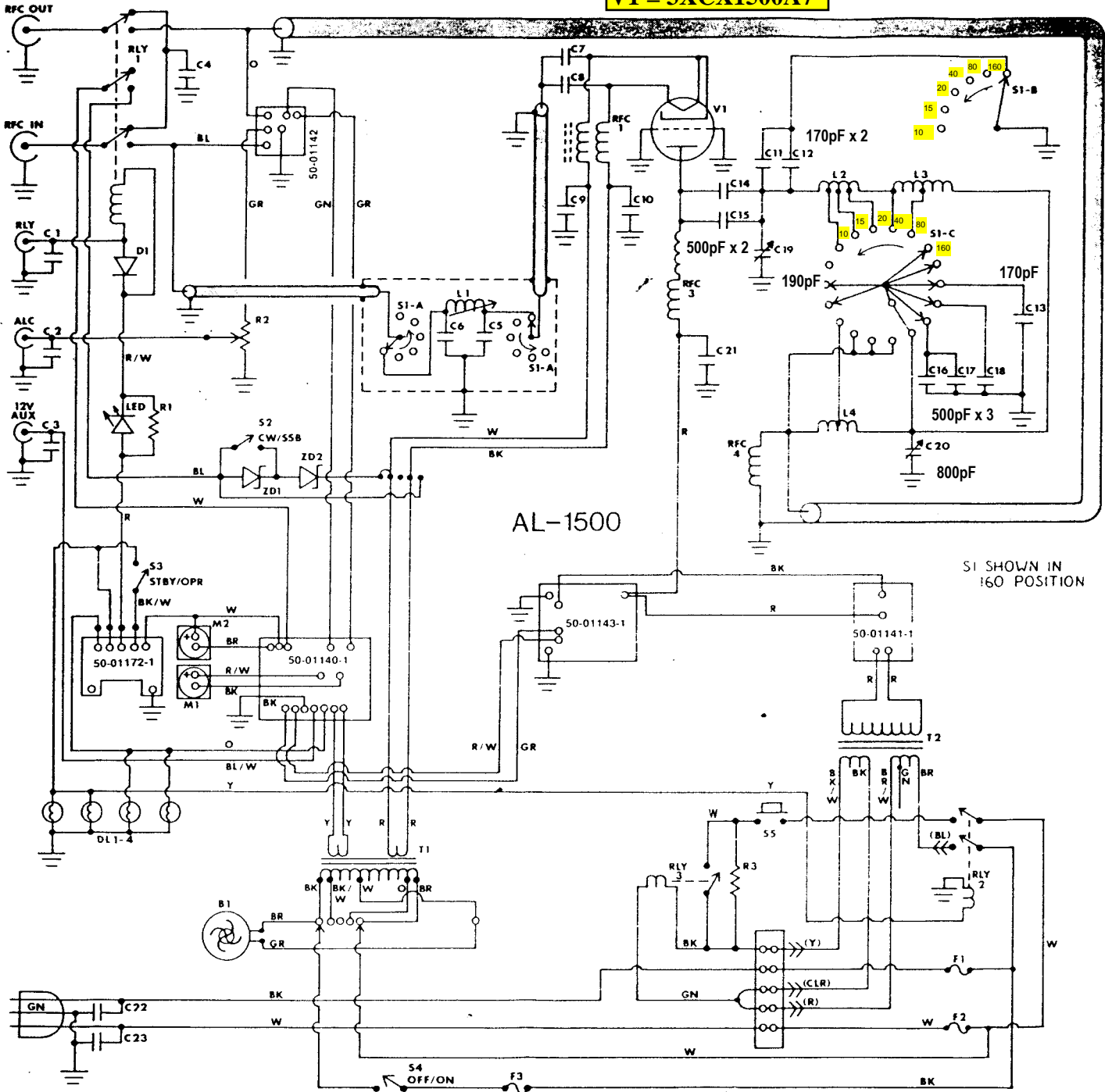


AL-1500 SCHEMATIC

Power supply shown wired for 240V operation

V1 = 3XCX1500A7



- Total Capacitance on 160 Meters
- C19 = 530pF
- C20 = 2470pF
- on 80 Meters
- C19 = 190pF
- C20 = 1470pF
- on 40 Meters
- C19 = 190pF
- C20 = 970pF