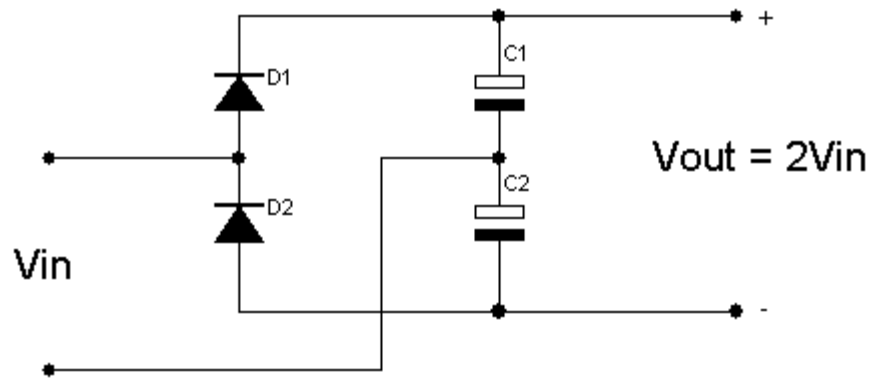


## Voltage Doubler

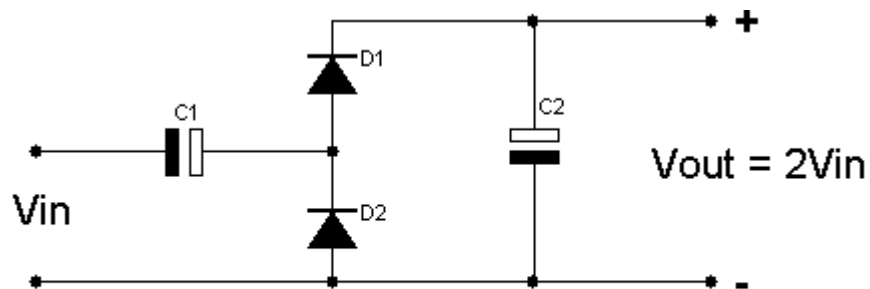


### Voltage doubler

This is a simple voltage doubler circuit which has the output voltage is  $2 \times V_{in}$

---

## Voltage Doubler

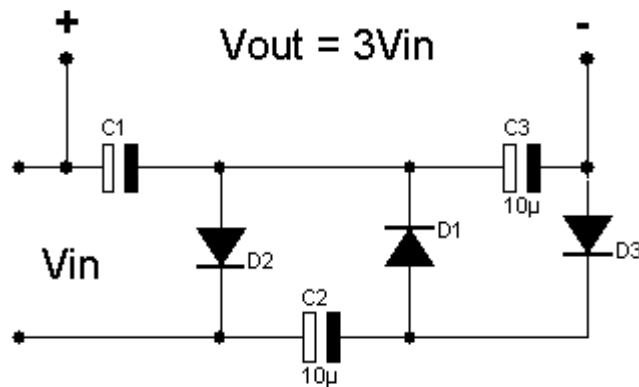


### Voltage Doubler(cascade type)

The above circuit is cascade type voltage doubler circuit. Note: both type of the above voltage doubler circuit must have rated voltage of capacitor and diode greater than  $2 \times V_{in}$ .

---

## Voltage Tripler

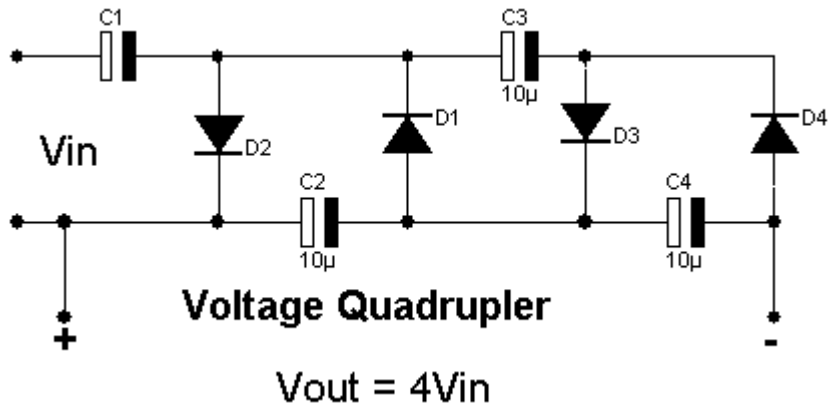


### Voltage Tripler

This circuit will give the output voltage  $3 \times V_{in}$ . The rated voltage of all capacitors and diodes must be greater than  $2 \times V_{in}$ .

---

## Voltage Quadrupler



The above circuit is a voltage quadrupler circuit, which has the output voltage, is  $4 \times V_{in}$ . The rated voltage for all capacitor and diode must be greater than  $2 \times V_{in}$ .